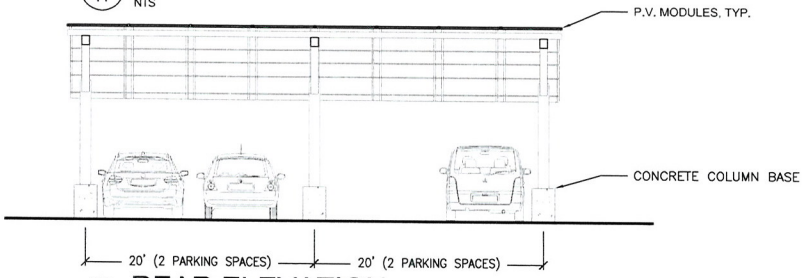
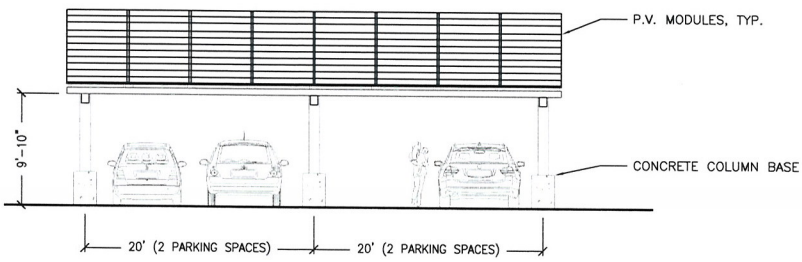




1A CARPORT MOUNTED PV SYSTEM
NTS

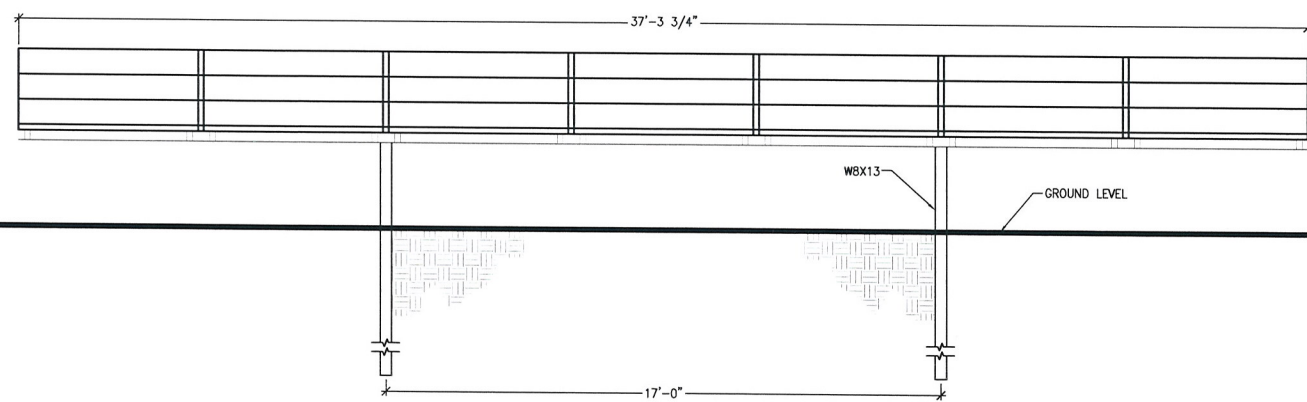


1B REAR ELEVATION
NTS



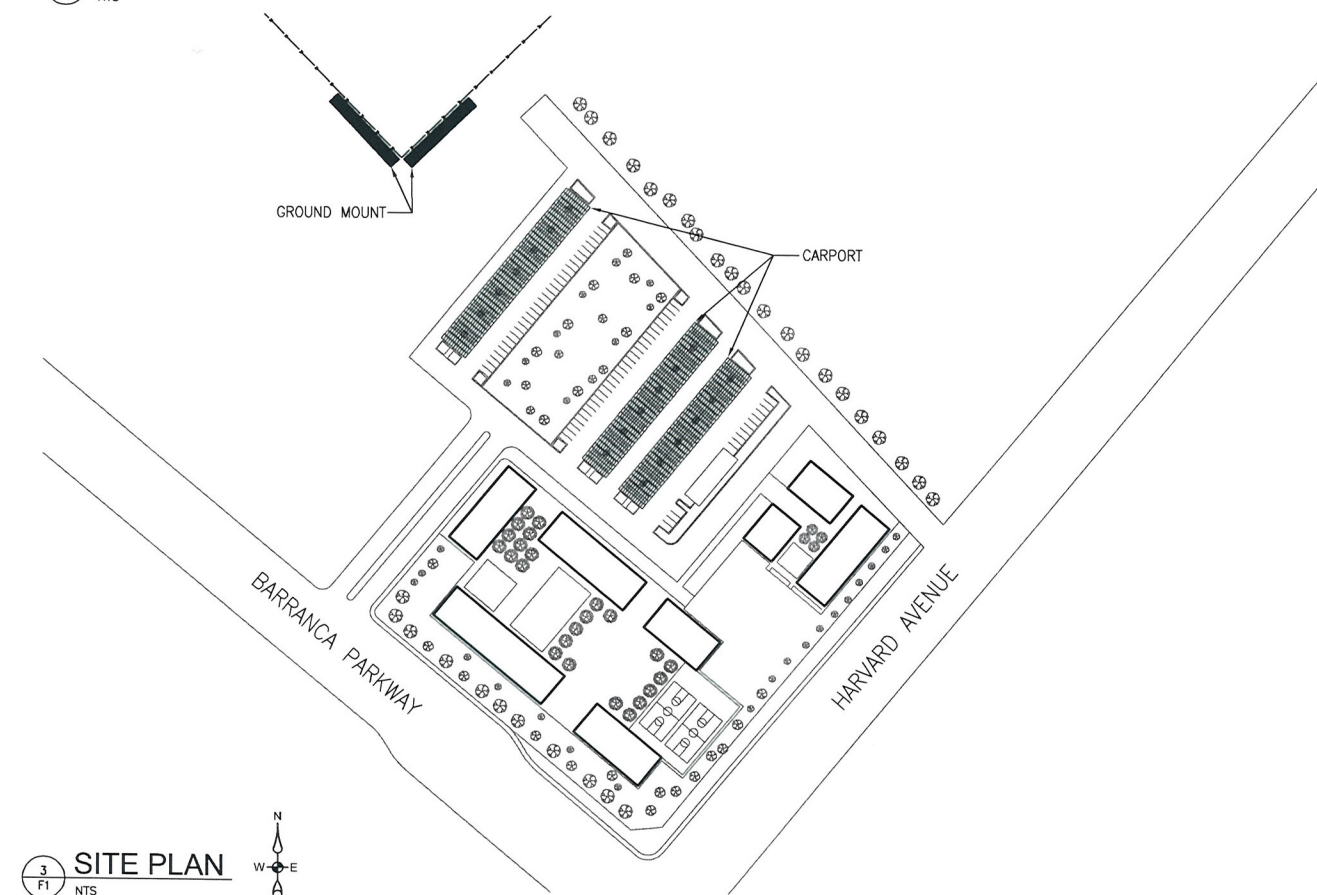
1C FRONT ELEVATION
NTS

1 TANDEM "T" - CARPORT DESIGN
NTS

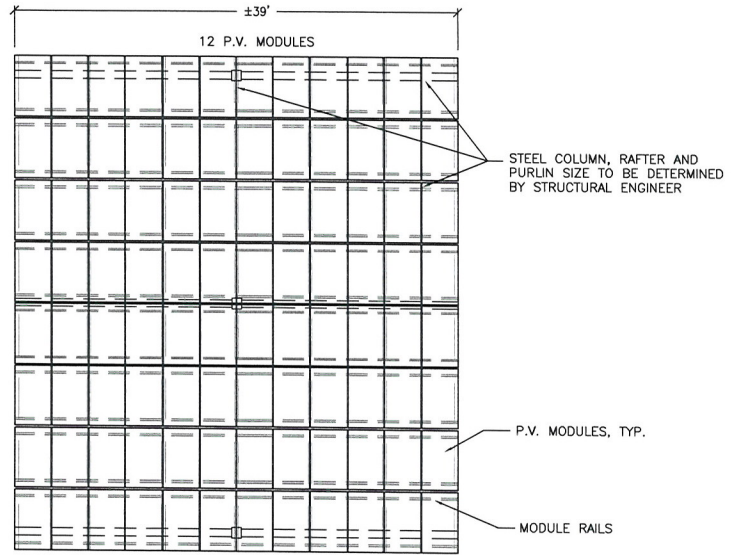


2A FRONT ELEVATION
NTS

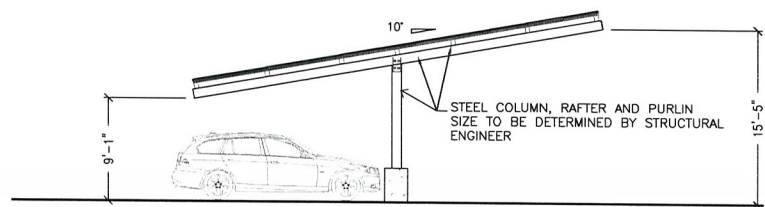
2 ISIS - GROUND MOUNT DESIGN
NTS



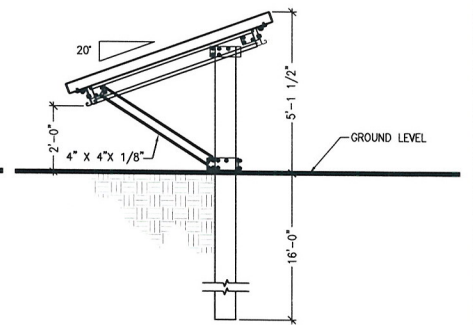
3 SITE PLAN
NTS



1D PLAN VIEW
NTS



1E SECTION VIEW
NTS



2B SECTION VIEW
NTS



20 LEVERONI COURT
NOVATO, CA 94948
CA LIC: #759096
(415) 883-7657
(415) 382-2180 FAX

PROPERTY OF SPG SOLAR, INC.
©2009 SPG SOLAR, INC. ALL RIGHTS RESERVED.
REPRESENTATIVE OF SPG SOLAR, INC. ALL RIGHTS RESERVED.
OTHER INFORMATION CONTAINED HEREIN IS CONSIDERED AS
CONFIDENTIAL, THIS DRAWING AND ANY DATA, DESCRIPTION, AND
OR USE TO BE KEPT IN STRICTLY CONFIDENTIAL AND NOT TO BE
DISCLOSED TO ANY OTHER PARTY WITHOUT THE WRITTEN
CONSENT OF SPG SOLAR, INC. THIS DRAWING IS THE
PROPERTY AND THE EXCLUSIVE PROPERTY OF SPG SOLAR, INC.
AND SHALL NOT BE PUBLISHED, REPRODUCED, COPIED, OR
DISCLOSED.

Design Acceptance:

By signing below, Customer hereby acknowledges approval and acceptance of the PV system as designed herein by SPG Solar, Inc.

Dated: _____
Customer Signature _____
Print Name _____

**IUSD
CREEK SIDE
EDUCATION CENTER**

3387 BARRANCA PKWY
IRVINE, CA 92606

DESIGNER:

DOUG HAIGH

PROJECT MANAGER:

DOUG OSBORN

CONSTRUCTION:

TIM CHRISTMAN

PROJECT PHASE:

COMMUNITY REVIEW

DATE:

04.15.2010

(848) 336-5205

IUSD DISTRICT MAINTENANCE OFFICE
100 NIGHTMIST
IRVINE, CA 92618

SHEET TITLE:

EXTERIOR ELEVATION
AND ARRAY LAYOUT

SHEET NUMBER:

F1