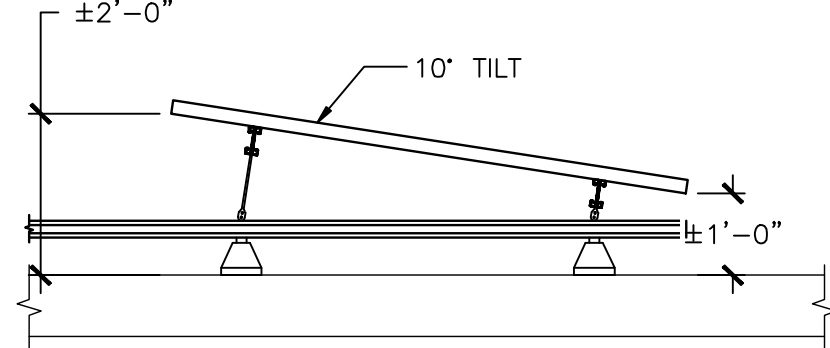


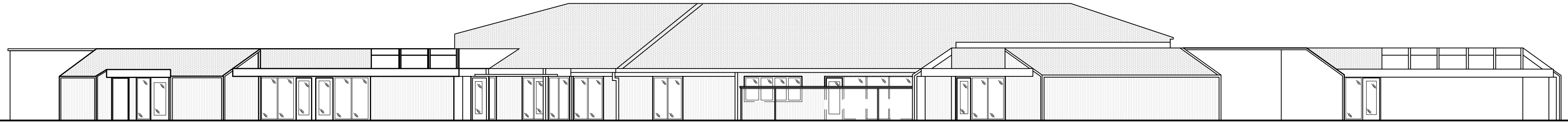
3 F1 NTS PROPOSED ARRAY LAYOUT



1 F1 NTS PHOTO FRONT OF BUILDING



2 F1 NTS TYPICAL MODULE SIDE VIEW



4 F1 NTS EXTERIOR ELEVATION - BUILDING



5 F1 NTS SITE PLAN



20 LEVERONI COURT
NOVATO, CA 94949
CA LIC. #756096
(415) 883-7887
(415) 382-2180 FAX

PROPERTY OF SPG SOLAR, INC.
EXPRESS WRITTEN PERMISSION OF A DULY AUTHORIZED REPRESENTATIVE OF SPG SOLAR, INC. ALL RIGHTS RESERVED. OTHER INFORMATION CONTAINED HEREIN ARE CONSIDERED AS CONFIDENTIAL. THIS DRAWING AND ANY DATA, DESCRIPTION, AND OR USES, IN WHOLE OR IN PART, FOR ANY PURPOSE WITHOUT THE PROPRIETARY AND THE EXCLUSIVE PROPERTY OF SPG SOLAR, INC. AND SHALL NOT BE PUBLISHED, REPRODUCED, COPIED, DISCLOSED.

Design Acceptance:
By signing below, Customer hereby acknowledges approval and acceptance of the PV system as designed herein by SPG Solar, Inc.

Dated: _____

Customer Signature _____

Print Name _____

IUSD
NORTHWOOD ELEMENTARY

28 CARSON DRIVE
IRVINE, CA 92620

DESIGNER:
DAN BERGER

PROJECT MANAGER:
CRAIG STAGER

CONSTRUCTION:
DOUG OSBORN

PROJECT PHASE:
COMMUNITY REVIEW

DATE:
4.23.2010

(949) 936-5305
IUSD DISTRICT MAINTENANCE OFFICE
100 NIGHTMIST
IRVINE, CA 92618

SHEET TITLE
EXTERIOR ELEVATION AND ARRAY LAYOUT

SHEET NUMBER
F1