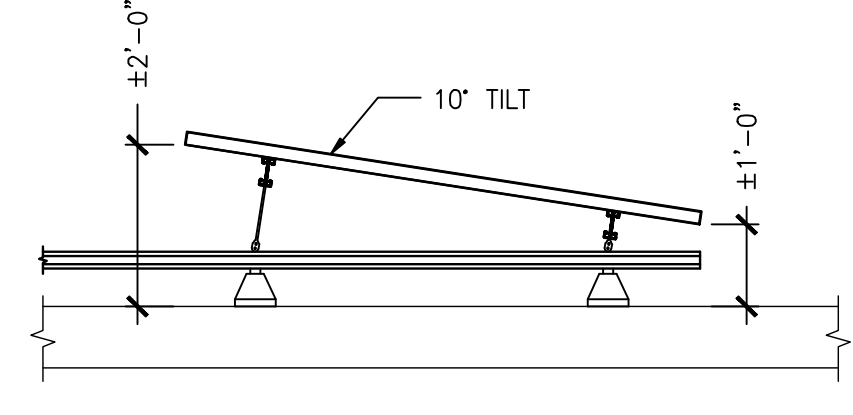


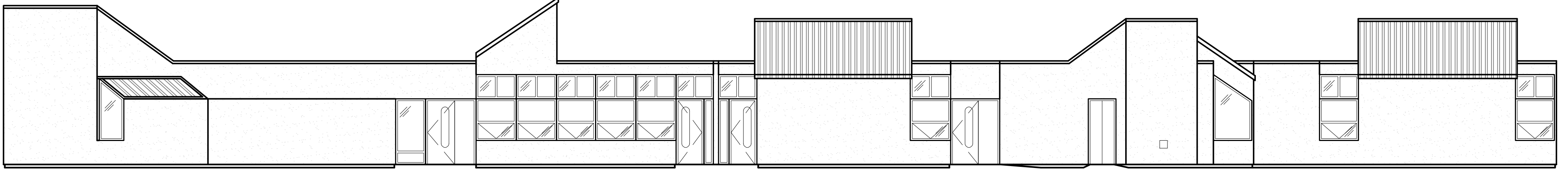
3 F1 NTS PROPOSED ARRAY LAYOUT



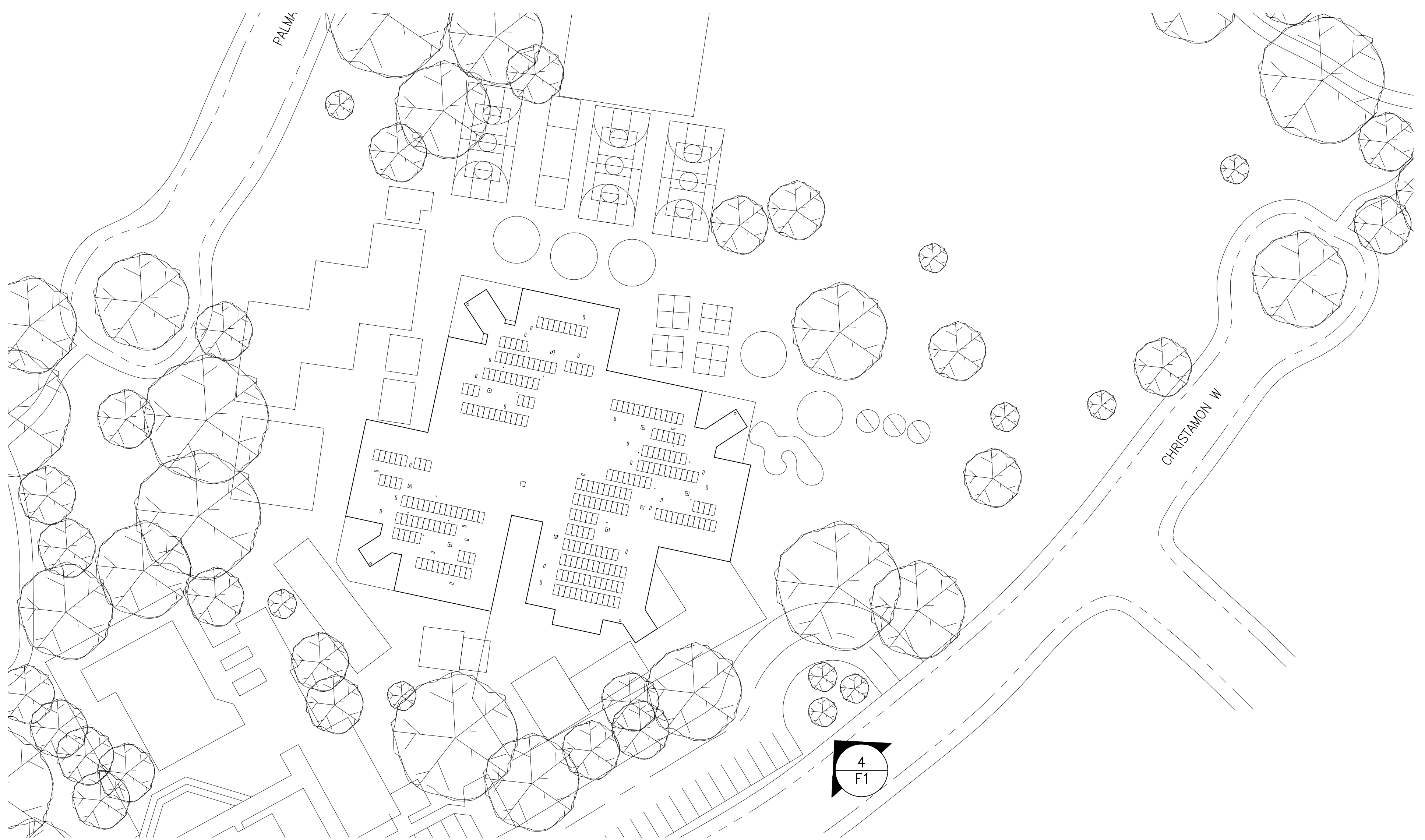
1 F1 NTS PHOTO FRONT OF BUILDING



2 F1 NTS TYPICAL MODULE SIDE VIEW



4 F1 NTS EXTERIOR ELEVATION



2 F1 NTS SITE PLAN



20 LEVERONI COURT  
NOVATO, CA 94949  
CA LIC. #756096  
(415) 953-7857  
(415) 382-2180 FAX

PROPERTY OF SPG SOLAR, INC.  
EXPRESS WRITTEN PERMISSION OF A DULY AUTHORIZED REPRESENTATIVE OF SPG SOLAR, INC. ALL RIGHTS RESERVED. OTHER INFORMATION CONTAINED HEREIN ARE CONSIDERED AS CONFIDENTIAL. THIS DRAWING AND ANY DATA, DESCRIPTION, AND OR USES, IN WHOLE OR IN PART, FOR ANY PURPOSES WITHOUT THE PROPRIETARY AND THE EXCLUSIVE PROPERTY OF SPG SOLAR, INC. AND SHALL NOT BE PUBLISHED, REPRODUCED, COPIED, DISCLOSED.

**Design Acceptance:**  
By signing below, Customer hereby acknowledges approval and acceptance of the PV system as designed herein by SPG Solar, Inc.

Dated: \_\_\_\_\_

Customer Signature \_\_\_\_\_

Print Name \_\_\_\_\_

**SANTIAGO HILLS  
ELEMENTARY**

29 CHRISTAMON WEST  
IRVINE, CA 92620

DESIGNER:  
ADAM BOWERS

PROJECT MANAGER:  
DOUG OSBORN

CONSTRUCTION:  
TIM CHRISTMAN

PROJECT PHASE:  
COMMUNITY REVIEW

DATE:  
04.23.2010

(949) 936-5305  
IUSD DISTRICT MAINTENANCE OFFICE  
100 NIGHTMIST  
IRVINE, CA 92618

SHEET TITLE  
**EXTERIOR ELEVATION  
AND ARRAY LAYOUT**

SHEET NUMBER  
**F1**