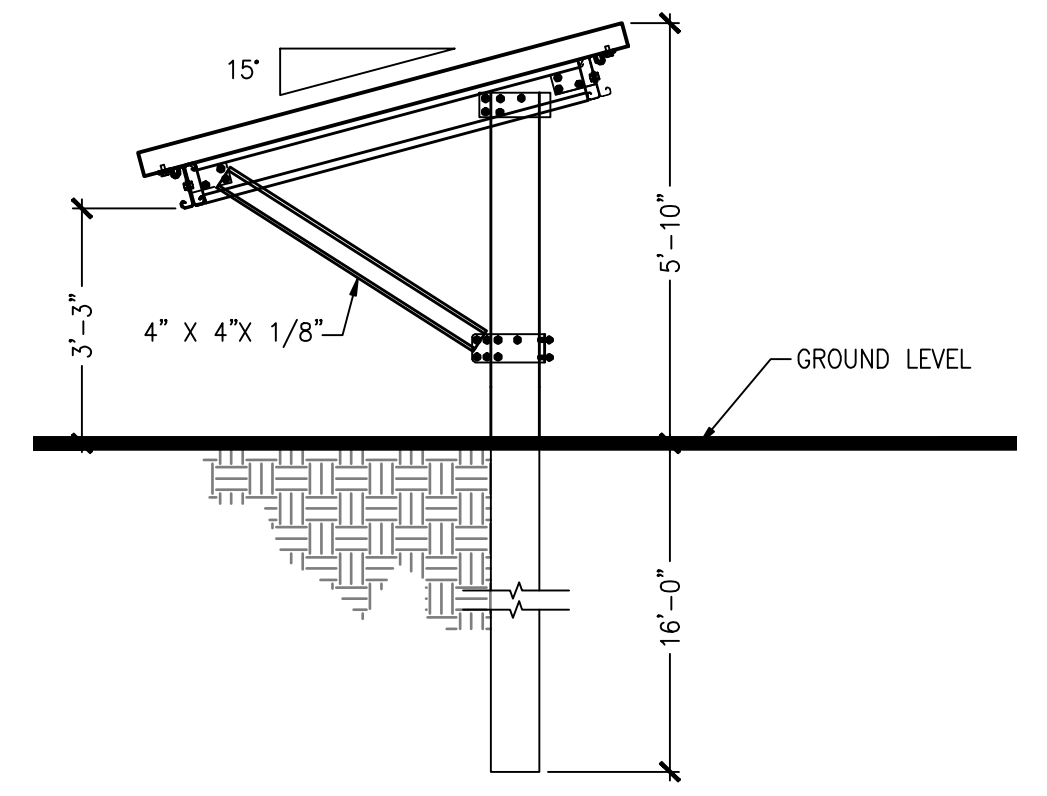
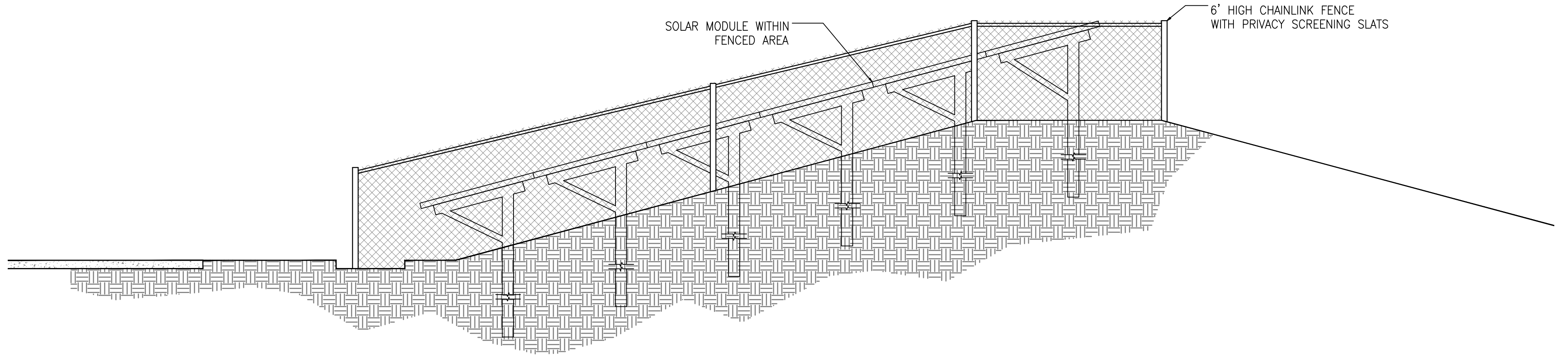


FRONT ELEVATION
A
F1 NTS

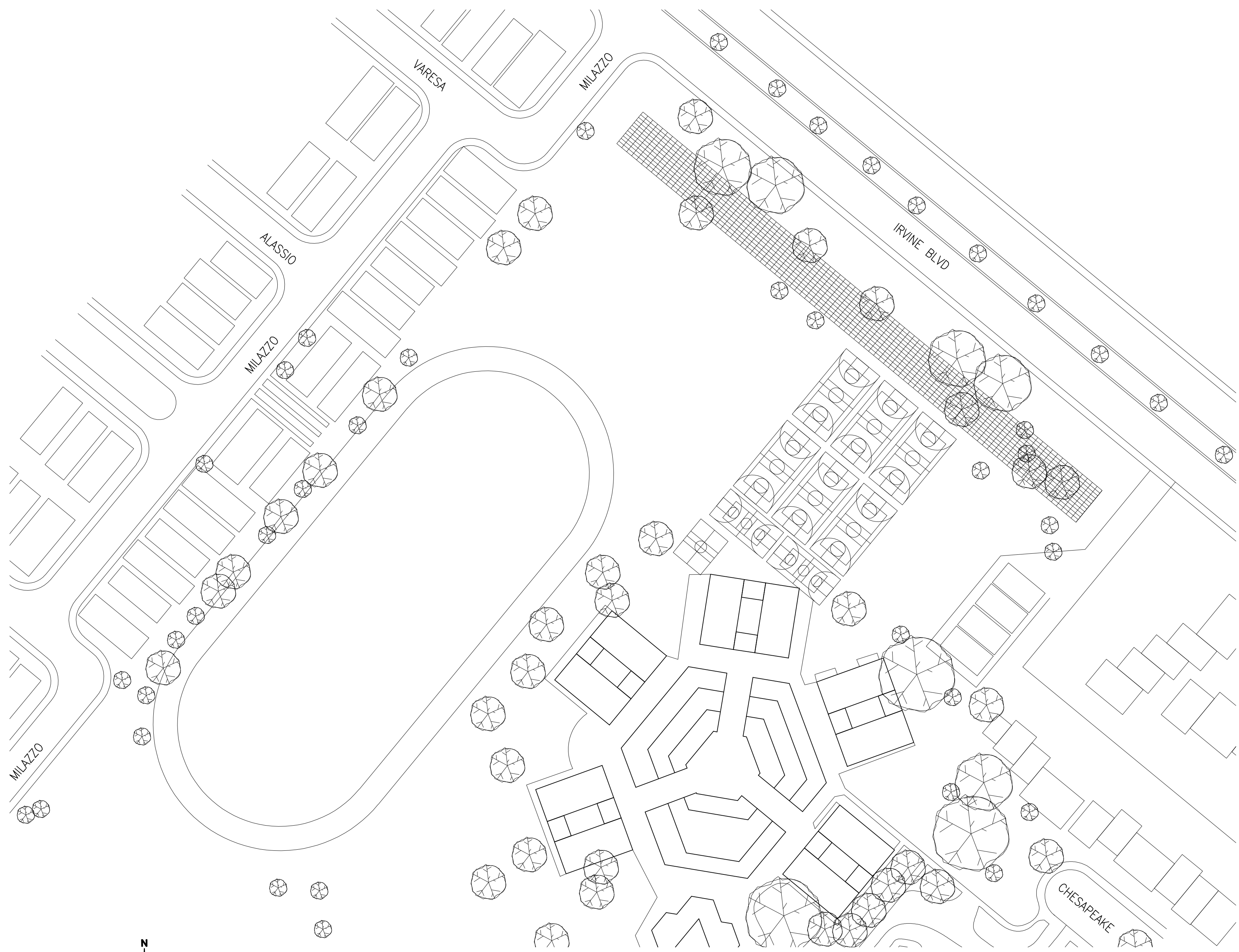


SECTION VIEW
B
F1 NTS

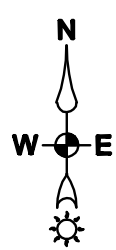
1 ISYS - GROUND MOUNT DESIGN
F1 NTS



2 ISYS - GROUND MOUNT SIDE ELEVATION
F1 NTS



3 SITE PLAN
F1 NTS



20 LEVERONI COURT
NOVATO, CA 94949
CA LIC. #756096
(415) 883-7887
(415) 382-2180 FAX

PROPERTY OF SPG SOLAR, INC.
EXPRESS WRITTEN PERMISSION OF A FULLY AUTHORIZED REPRESENTATIVE OF SPG SOLAR, INC. ALL RIGHTS RESERVED. OTHER INFORMATION CONTAINED HEREIN ARE CONSIDERED AS CONFIDENTIAL. THIS DRAWING AND ANY DATA, DESCRIPTION, AND OR USED, IN WHOLE OR IN PART, FOR ANY PURPOSES WITHOUT THE PROPRIETARY AND THE EXCLUSIVE PROPERTY OF SPG SOLAR, INC. AND SHALL NOT BE PUBLISHED, REPRODUCED, COPIED, DISCLOSED.

Design Acceptance:
By signing below, Customer hereby acknowledges approval and acceptance of the PV system as designed herein by SPG Solar, Inc.

Date: _____
Customer Signature _____
Print Name _____

**IUSD
SIERRA VISTA MIDDLE**

2 LIBERTY
IRVINE, CA 92620

DESIGNER:
DAN BERGER

PROJECT MANAGER:
DOUG OSBORN

CONSTRUCTION:
TIM CHRISTMAN

PROJECT PHASE:
COMMUNITY REVIEW

DATE:
04.23.2010

(949) 936-5305
IUSD DISTRICT MAINTENANCE OFFICE
100 NIGHTMIST
IRVINE, CA 92618

SHEET TITLE:
EXTERIOR ELEVATION AND ARRAY LAYOUT

SHEET NUMBER:
F1