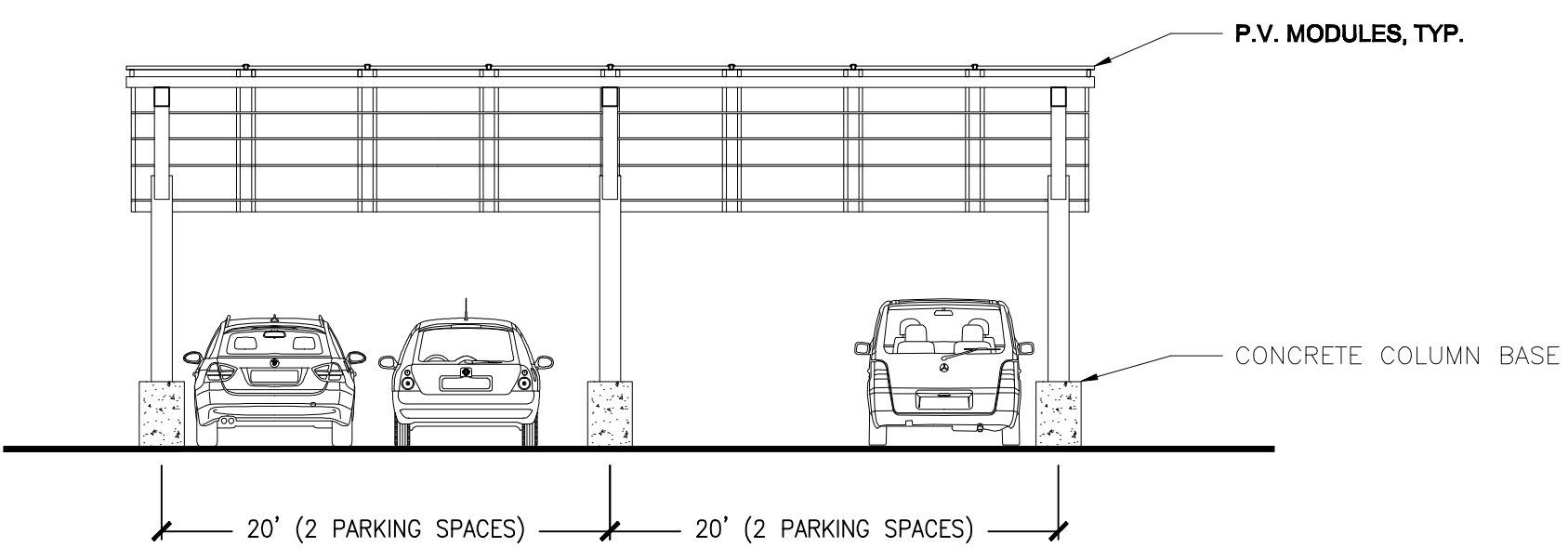
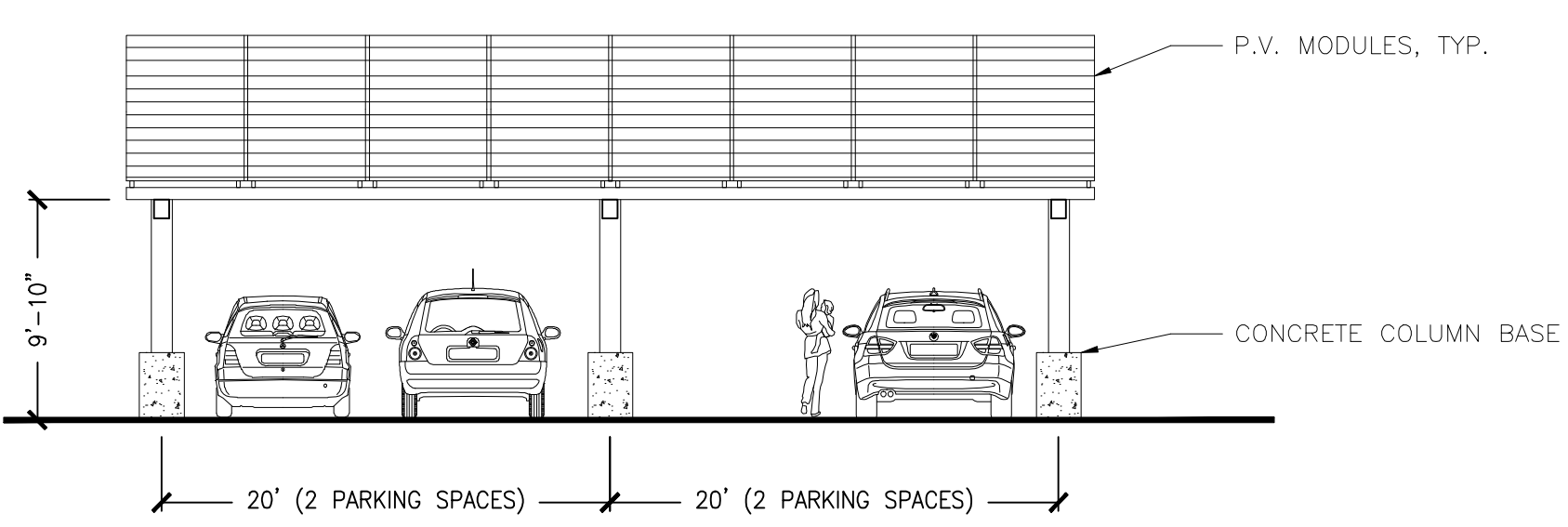




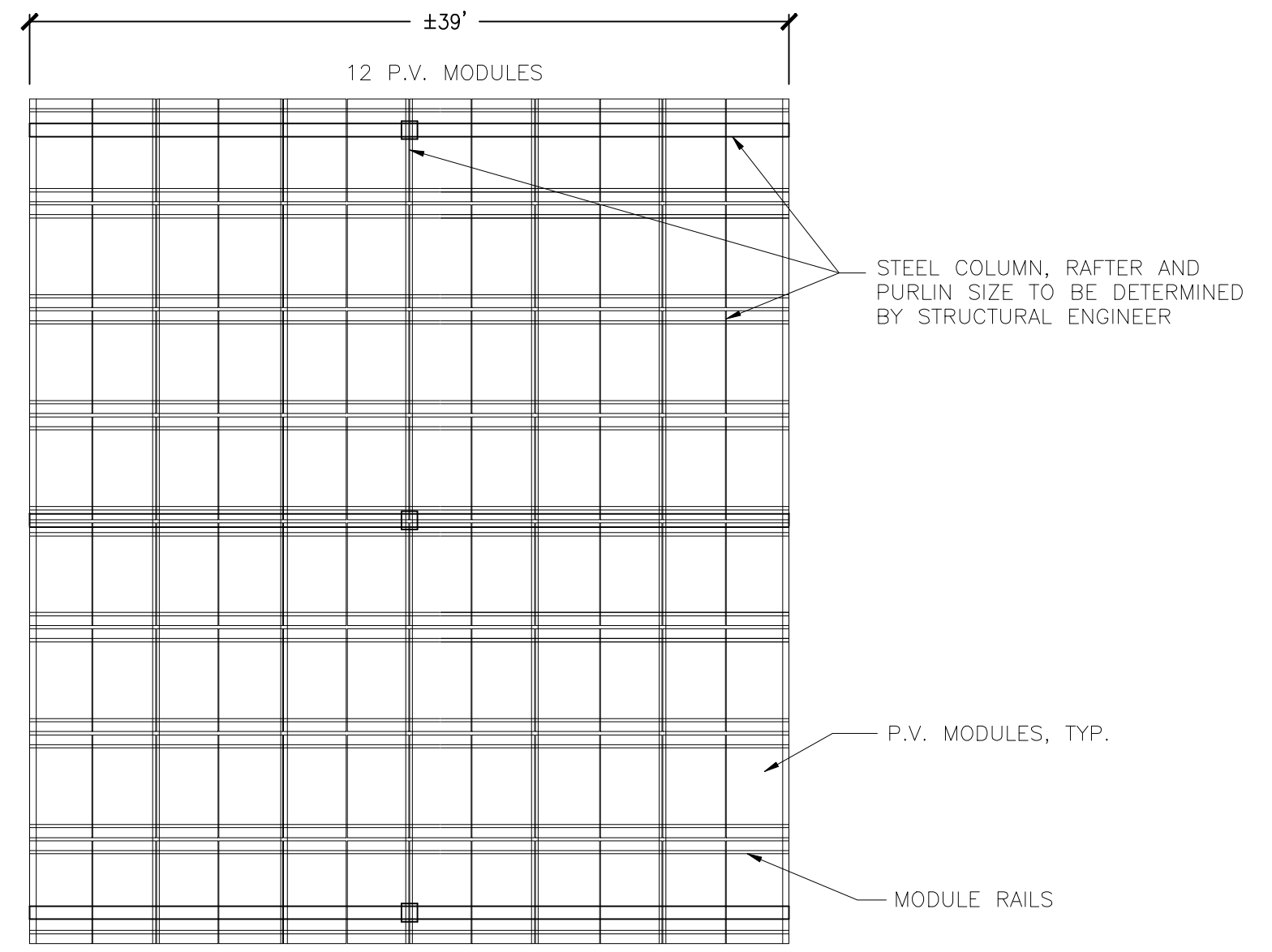
1A F1 TANDEM "T" - CARPORT DESIGN
NTS



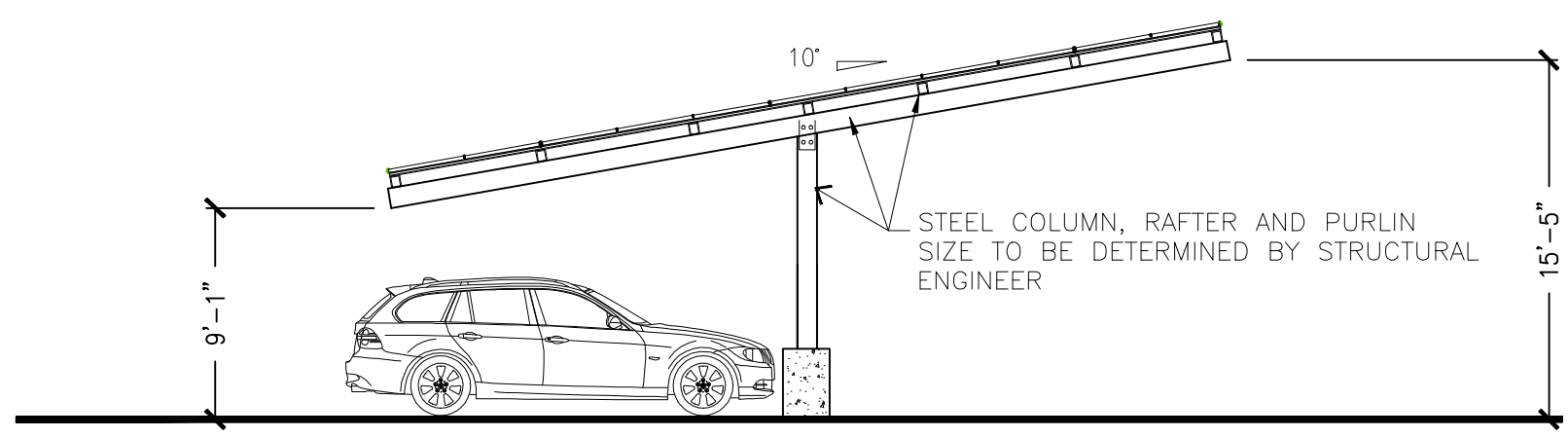
1B F1 REAR ELEVATION
NTS



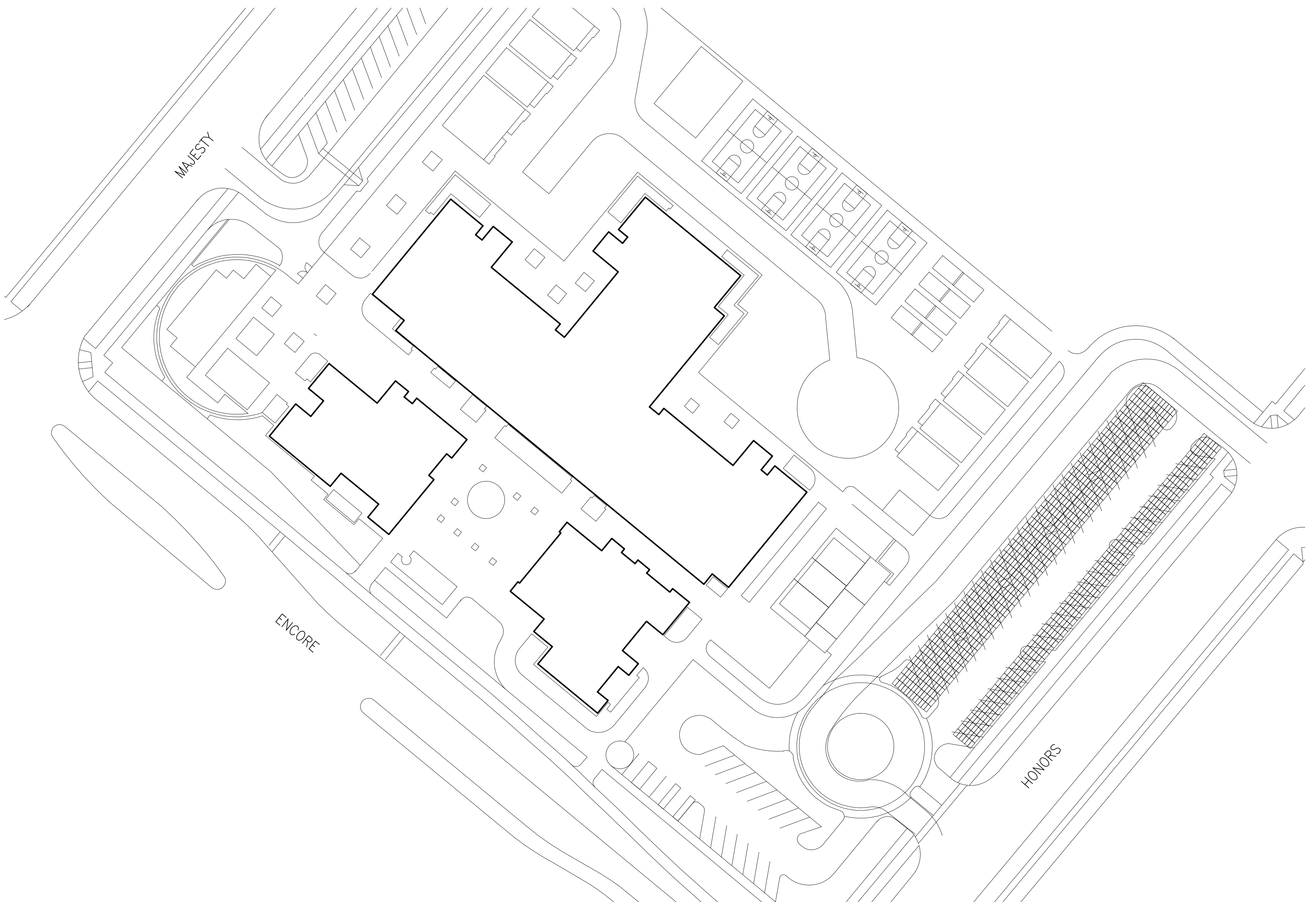
1C F1 FRONT ELEVATION
NTS



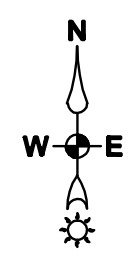
1D F1 PLAN VIEW
NTS



1E F1 SECTION VIEW
NTS



2 F1 SITE PLAN
NTS



20 LEVERONI COURT
NOVATO, CA 94949
CA LIC. #756096
(415) 383-7857
(415) 382-2180 FAX

PROPERTY OF SPG SOLAR, INC.
EXPRESS WRITTEN PERMISSION OF A DULY AUTHORIZED REPRESENTATIVE OF SPG SOLAR, INC. ALL RIGHTS RESERVED. OTHER INFORMATION CONTAINED HEREIN ARE CONSIDERED AS CONFIDENTIAL. THIS DRAWING AND ANY DATA, DESCRIPTION, AND OR USES, IN WHOLE OR IN PART, FOR ANY PURPOSES WITHOUT THE PROPRIETARY AND THE EXCLUSIVE PROPERTY OF SPG SOLAR, INC. AND SHALL NOT BE PUBLISHED, REPRODUCED, COPIED, DISCLOSED.

Design Acceptance:
By signing below, Customer hereby acknowledges approval and acceptance of the PV system as designed herein by SPG Solar, Inc.

Date: _____

Customer Signature _____

Print Name _____

**IUSD
STONEGATE ELEMENTARY**

100 HONORS
IRVINE, CA 92620

DESIGNER:
CRAIG STAGER

PROJECT MANAGER:
DOUG OSBORN

CONSTRUCTION:
TIM CHRISTMAN

PROJECT PHASE:
COMMUNITY REVIEW

DATE:
04.23.2010

(949) 936-5305
IUSD DISTRICT MAINTENANCE OFFICE
100 NIGHTMIST
IRVINE, CA 92618

SHEET TITLE:
EXTERIOR ELEVATION
AND ARRAY LAYOUT

SHEET NUMBER:
F1