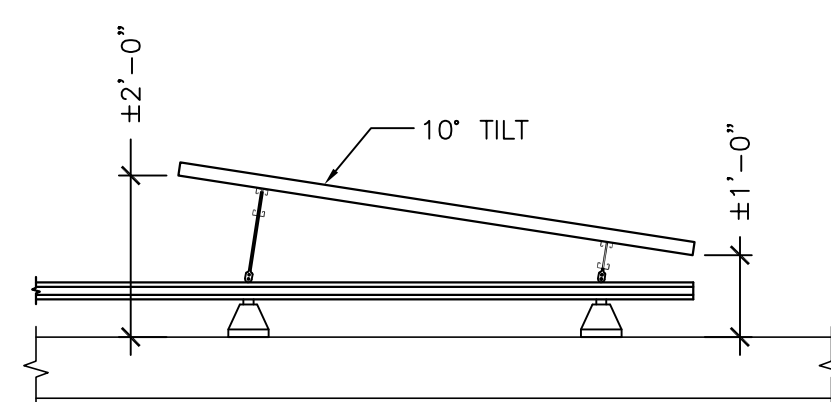


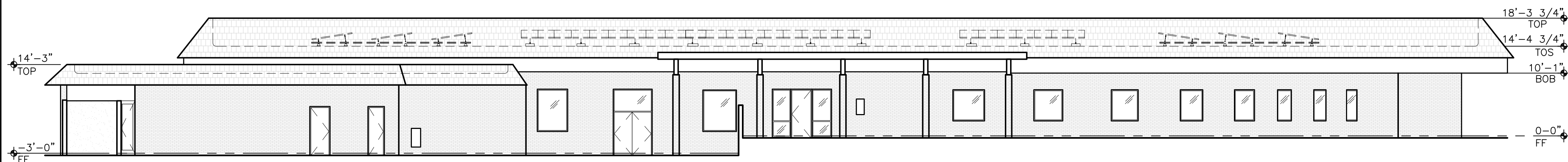
3 F1 NTS  
ARRAY LAYOUT - BUILDING "A"



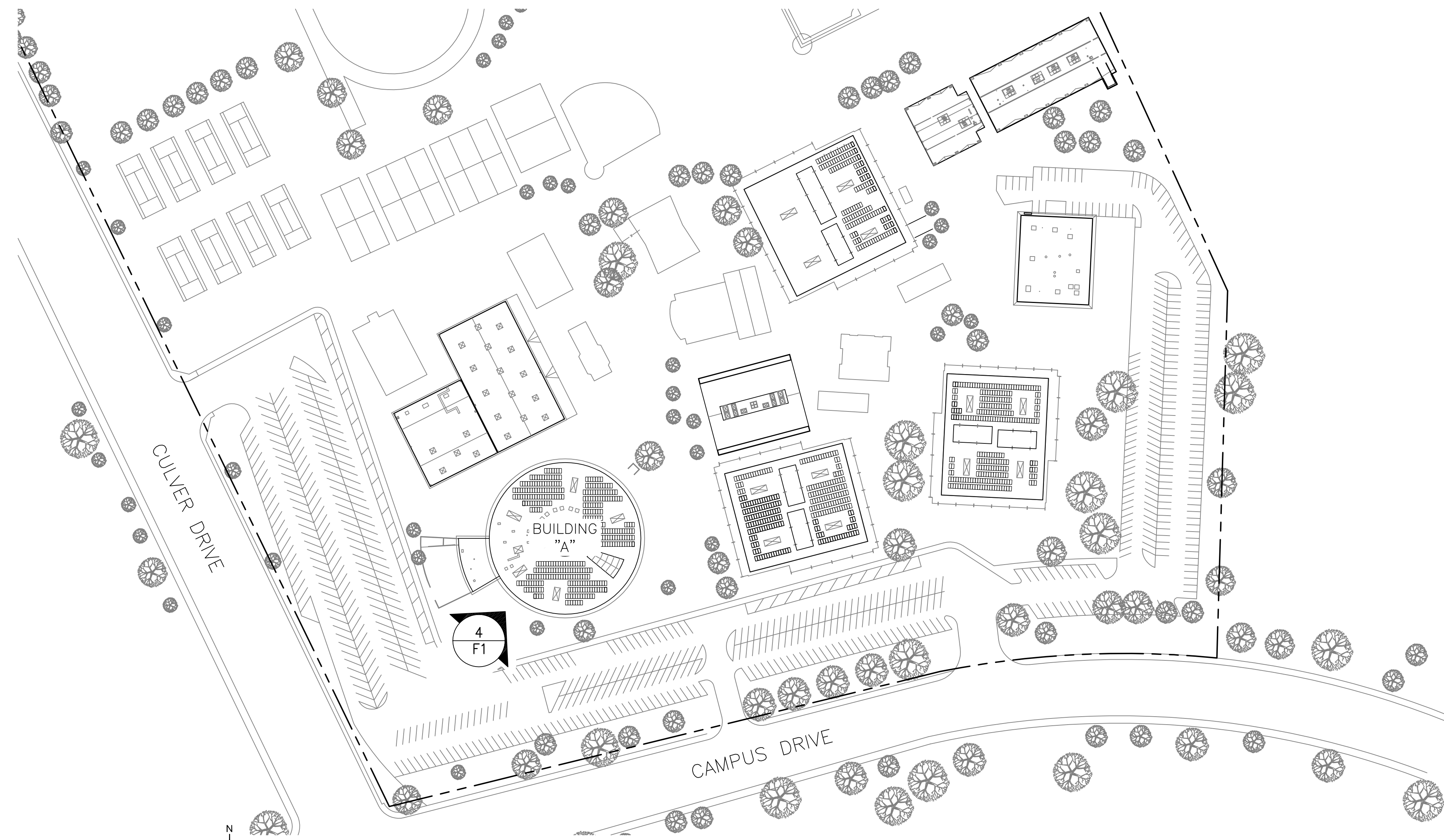
1 F1 NTS  
PHOTO FRONT OF BUILDING "A"



2 F1 NTS  
TYPICAL MODULE SIDE VIEW



4 F1 NTS  
EXTERIOR ELEVATION - BUILDING "A"



5 F1 NTS  
SITE PLAN

20 LEVERONI COURT  
NOVATO, CA 94949  
CA LIC. #759086  
(415) 883-7657  
(415) 382-2180 FAX

PROPERTY OF SPG SOLAR, INC.  
EXPRESS WRITTEN PERMISSION OF A DULY AUTHORIZED REPRESENTATIVE OF SPG SOLAR, INC. ALL RIGHTS RESERVED. OTHER INFORMATION CONTAINED HEREIN ARE CONSIDERED AS CONFIDENTIAL. THE DRAWING AND ANY DATA, DESCRIPTION, AND OR, USED IN WHOLE OR IN PART, FOR ANY PURPOSE WITHOUT THE PROPRIETARY AND THE EXCLUSIVE PROPERTY OF SPG SOLAR, INC. AND SHALL NOT BE PUBLISHED, REPRODUCED, COPIED, DISCLOSED.

Design Acceptance:  
By signing below, Customer hereby acknowledges approval and acceptance of the PV system as designed herein by SPG Solar, Inc.

Dated: \_\_\_\_\_  
Customer Signature \_\_\_\_\_  
Print Name \_\_\_\_\_

IUSD  
UNIVERSITY HIGH SCHOOL

4771 CAMPUS DRIVE  
IRVINE, CA 93612

DESIGNER:  
DAN BERGER

PROJECT MANAGER:  
DOUG OSBORN

CONSTRUCTION:  
TIM CHRISTMAN

PROJECT PHASE:  
COMMUNITY REVIEW

DATE:  
04.09.2010

(949) 936-5305  
IUSD DISTRICT MAINTENANCE OFFICE  
100 NIGHTMIST  
IRVINE, CA 92618

SHEET TITLE  
EXTERIOR ELEVATION  
AND ARRAY LAYOUT

SHEET NUMBER  
F1